



Stainless Steel Ball Valve with Spring Return Handle

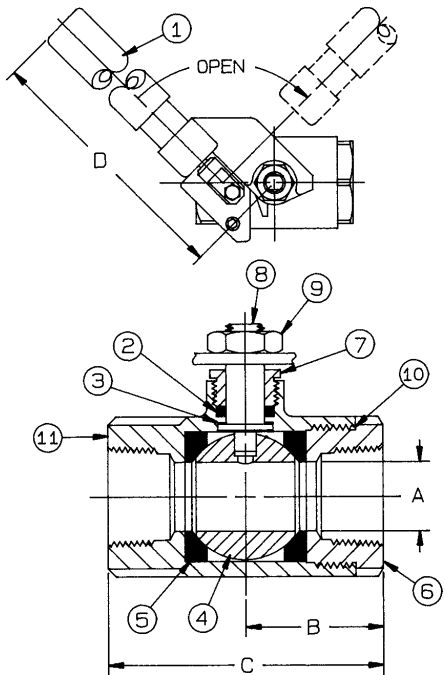
Threaded, 1/4" to 1" 2000 psig WOG, 1-1/4" to 2" 1500 psig WOG
 Cold Non-Shock. 150 psig Saturated Steam, Vacuum Service to 29 inches Hg.
 Federal Specification: WW-V-35C, Type: II, Composition: SS, Style: 3.
 MSS SP-110; Ball Valves Threaded, Socket-Welding, Solder Joint, Grooved and Flared Ends.

FEATURES

- Spring return to close (-01)
- Spring return to open (-08)
- Reinforced seats
- All components of lever are stainless steel
- Operating torque is approximately three times standard valve torque
- Blow-out-proof stem design
- Adjustable packing gland
- Meets NACE MR-01-75
- Investment cast components

STANDARD MATERIAL LIST

1. Handle	SS w/vinyl	6. Retainer	A276-316 (1/4" to 1")
2. Stem packing	Multifill PTFE	7. Gland nut	A351-CF8M (1-1/4" to 2")
3. Stem bearing	RPTFE	8. Stem	A276-316
4. Ball	A276-316	9. Lever nut	18-8 SS
5. Seat (2)	Multifill PTFE	10. Body seal	PTFE (1-1/4" to 2")
		11. Body	A351-CF8M



STAINLESS STEEL BALL VALVE WITH SPRING RETURN HANDLE

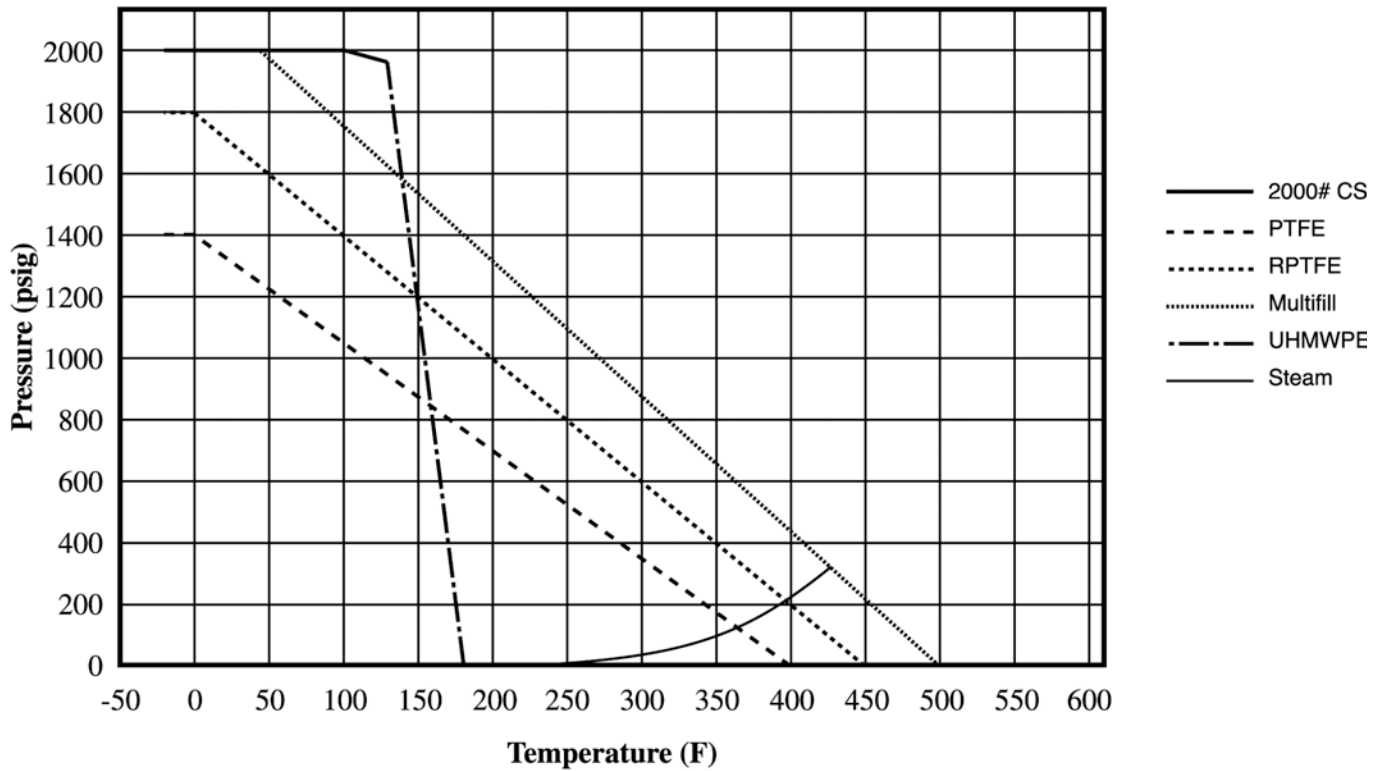
NUMBER	SIZE	A	B	C	D	Wt.
	1/4"	.37	1.03	2.06	7.00	1.26
	3/8"	.37	1.03	2.06	7.00	1.25
	1/2"	.50	1.12	2.25	7.00	1.31
	3/4"	.68	1.50	3.00	7.00	1.98
	1"	.87	1.68	3.37	7.00	2.35
	1-1/4"	1.00	2.00	4.00	9.00	3.96
	1-1/2"	1.25	2.18	4.37	9.00	4.78
	2"	1.50	2.75	5.50	9.00	6.66

OPTIONS AVAILABLE:

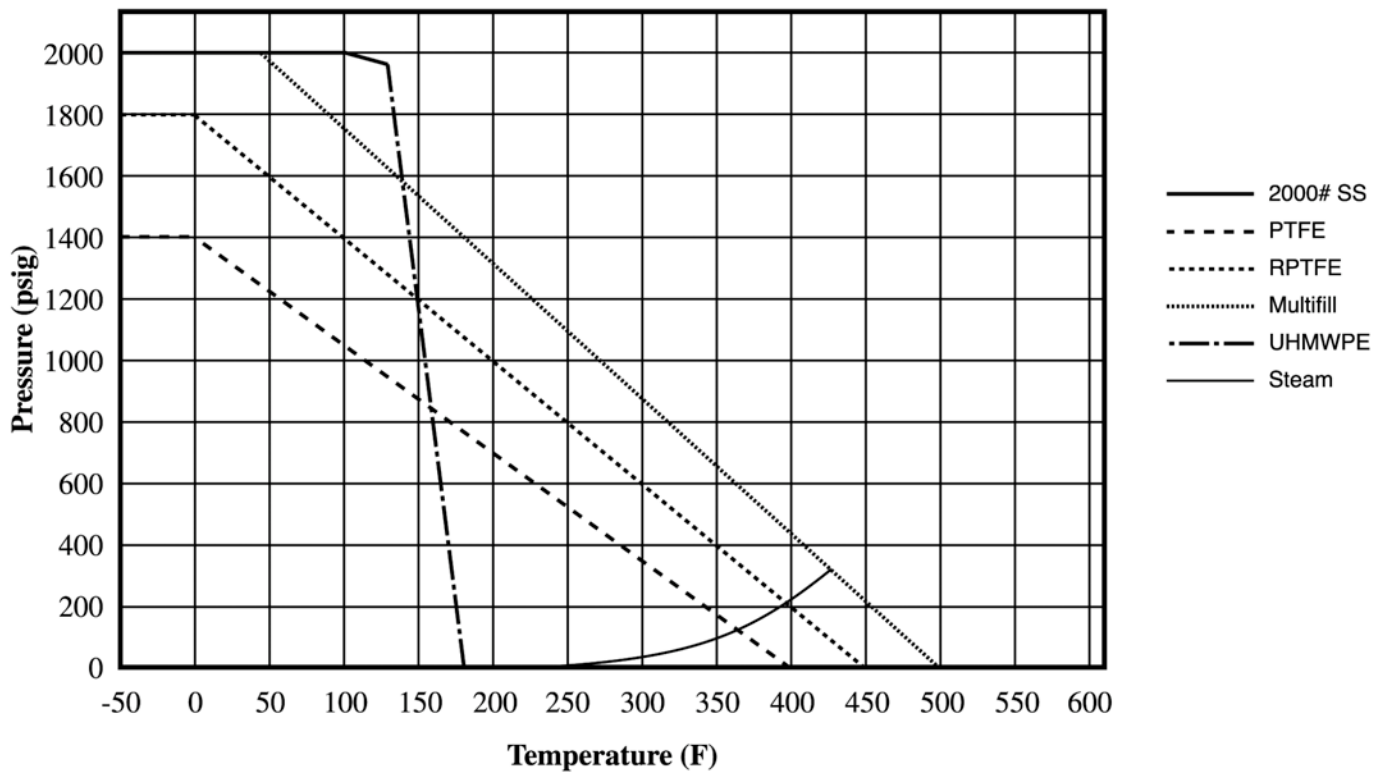
(SUFFIX)	OPTION	SIZES
-08-	90° Reversed Stem	1/4" to 2"
-14-	Side Vented Ball (Uni-Directional)	1/4" to 2"
-21-	UHMWPE Seats (Non-PTFE)	1/4" to 2"
-24-	Graphite Packing	1/4" to 2"
-35-	VTFE Trim	1/4" to 2"
-49-	Assembled Dry	1/4" to 2"
-57-	Oxygen Cleaned	1/4" to 2"
-60-	Grounded Ball & Stem	1/4" to 2"
-P01-	BSPP (Parallel) Thread Connection	1/4" to 2"
-T01-	BSPT (Tapered) Thread Connection	1/4" to 2"

For Pressure/Temperature Ratings,
 Refer to Page M-12, Graph No. 14
 (1/4" to 1")
 Refer to Page M-11, Graph No. 12
 (1-1/4" to 2")

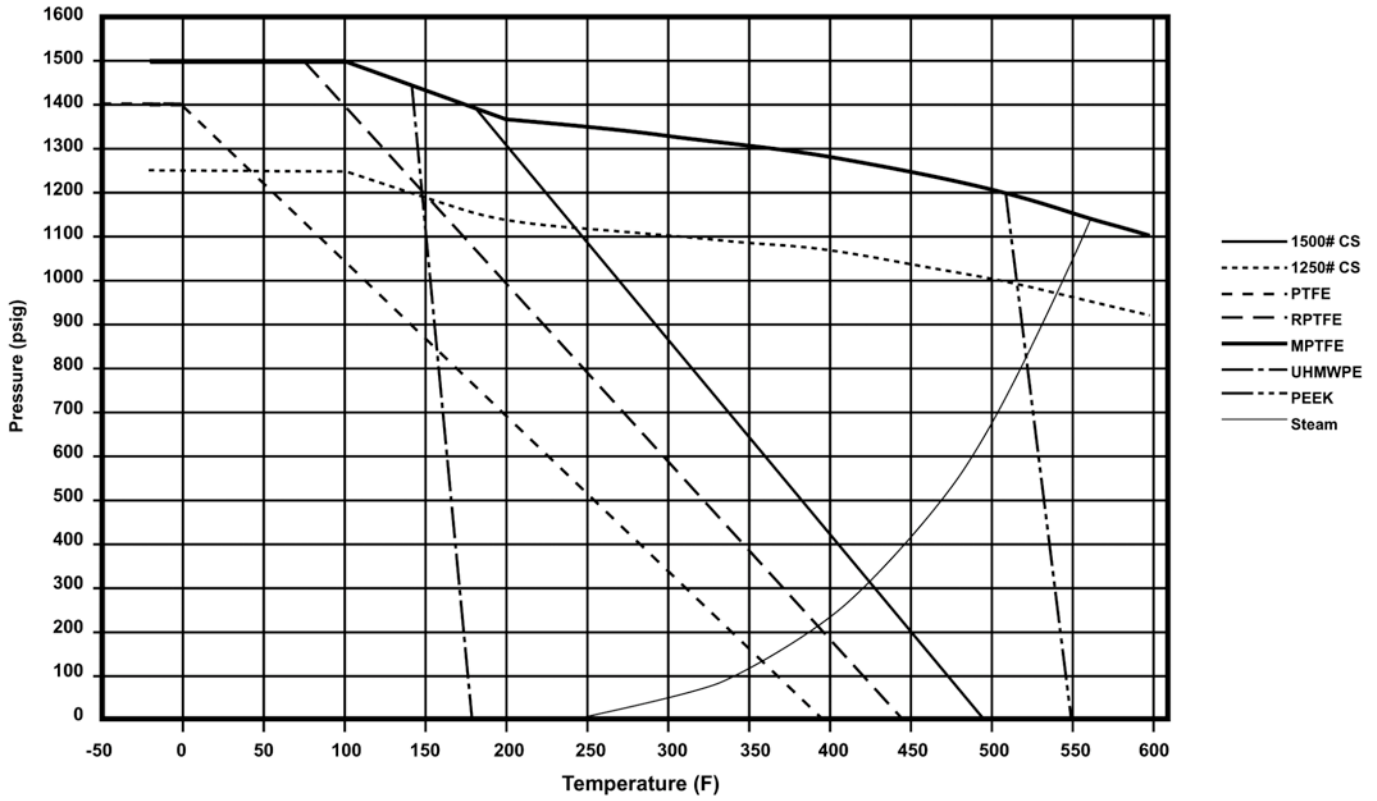
2000# CS P-T Rating (Graph 13)



2000# SS P-T Rating (Graph 14)



1500# CS P-T Rating (Graph 11)



1500# SS P-T Rating (Graph 12)

