



77G-UL SERIES

Bronze Full Port Fuel Shut Off Valve – UL/CSA Listed

Job Name:	Contractor:
Job Location:	P.O. Number:
Engineer:	Representative:
Tag:	Wholesale Distributor:

DESCRIPTION

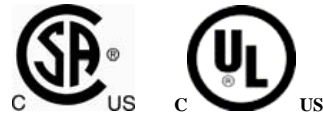
The Apollo® 77G-UL series ball valve is a UL and CSA listed fuel shut off valve approved for a variety of flammable gases and liquids. Cast and machined in Apollo's South Carolina manufacturing plants, these valves feature a durable bronze body, premium "multi-fill" MPTFE seats and stem packing, and a "Solid Ball" design that delivers true full port flow performance.

FEATURES

- Multi-Fill PTFE seats & seals
- Blow-out proof stem design
- Adjustable stem packing
- Durable bronze construction
- Suitable for both indoor and outdoor installations
- Made in the USA

PERFORMANCE RATING

- Maximum Body Pressure: 600 psig CWP
- Pressure CSA: Up To 125 psig
- Temperature Range CSA: -20°F to 150°F
- Pressure UL: 250 psig max @ 125°F
- Service: **A** (Air or non-toxic, non flammable gas), **G** (City gas supplied by public utilities), **Ga** (Gasoline), **LP** (Liquefied petroleum gases), **02** (No. 1 & 2 fuel oil), **04** (No. 4 fuel oil), **05** (No. 5 fuel oil), **06** (No. 6 fuel oil), **S** (Steam 150 psig)



DIMENSIONS

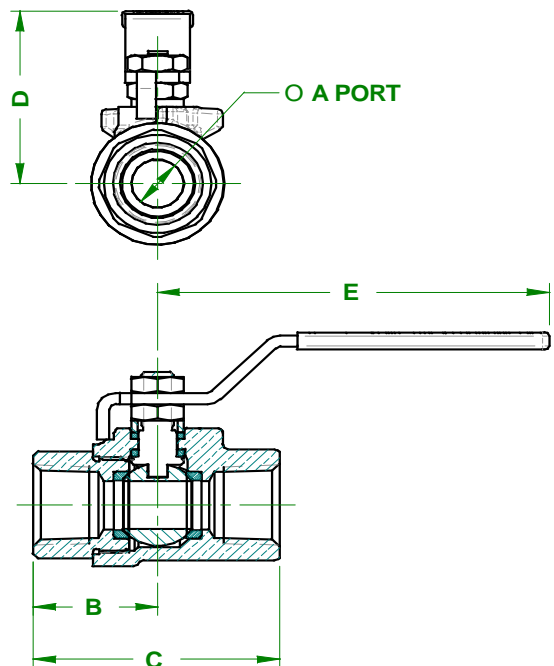
PART #	SIZE	A	B	C	D	E	Wt.
77G103UL	1/2"	0.50	1.19	2.35	1.80	3.74	0.68
77G104UL	3/4"	0.75	1.42	2.74	1.98	4.78	1.26
77G105UL	1"	1.00	1.64	3.18	2.18	4.78	2.08

STANDARD MATERIAL

Part Name	Material
Body	Cast Bronze B584
Seat	Multi-Fill PTFE
Ball	ASTMB16 Brass
Stem Packing	Multi-Fill PTFE
Nut	Corrosion Resistant Plated Steel
Stem	ASTMB16 Brass
Retainer	ASTMB505 Bronze (1/2")
	Cast Bronze B584 (3/4" - 1")
Handle	Plated Steel/Insulated Polyvinyl
Gland	ASTMB16 Brass

APPROVALS

- MSS SP-110 Ball Valves
- CSA to ASME B16.33, 125
- CGA 3.16-M88, 125
- UL LISTED
 - MHKZ Manual valves
 - YSDT LP gas shutoff, 250
 - YQNZ Compressed gas shutoff
 - YRBX Flammable liquid shutoff
 - YRPV Gas shut off
- CUL LISTED
 - YRPV7 Gas shutoff
 - YRBX7 Flammable Liquid shutoff
 - MHKZ7 Manual valves
 - YSDT7 LP gas shutoff



Conbraco Industries, Inc. 701 Matthews Mint Hill Rd. Matthews NC 28106 USA; www.apollovalves.com; 704-841-6000

This specification is provided for reference only. Conbraco reserves the right to change any portion of this specification without notice and without incurring obligation to make such changes to Conbraco products previously or subsequently sold.